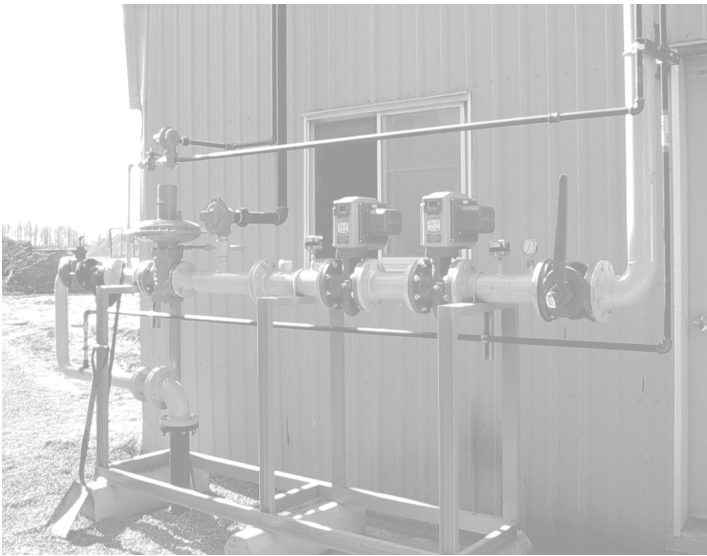




# Gas Essentials<sup>INC</sup>

Natural and Propane Gas Regulation, Measurement and Controls



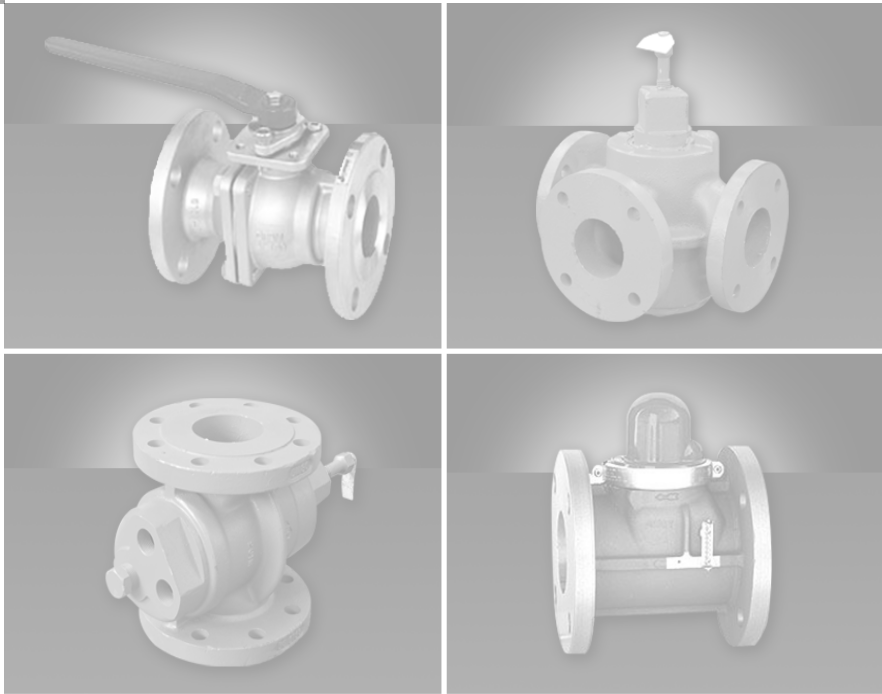
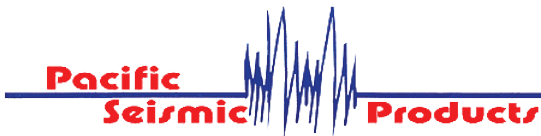
200 L/T  
301 L/T  
301 LG/TG

## Gas Valves Plug, Ball and Seismic

Master Distributor for



### MILLIKEN



[www.gasesentials.com](http://www.gasesentials.com)

# 200L/T • 301L/T • 301LG/TG

## Class 125 – ANSI B16.1 Flanges Class 125 – NPT Screwed End Valves Three-way Pattern • Full Bore • Rectangular Port

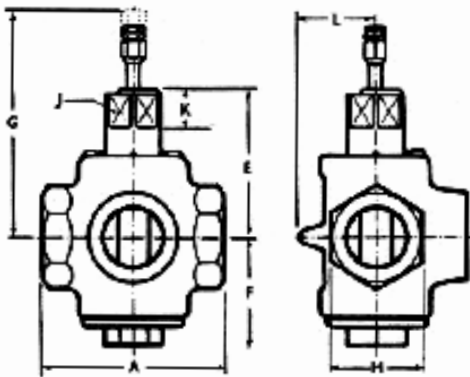
### Specification

Screwed end valves are supplied screwed to NPT standards.  
Flanged valves are supplied with flanges to ANSI B16.1, Class 125.

### Valve Identification

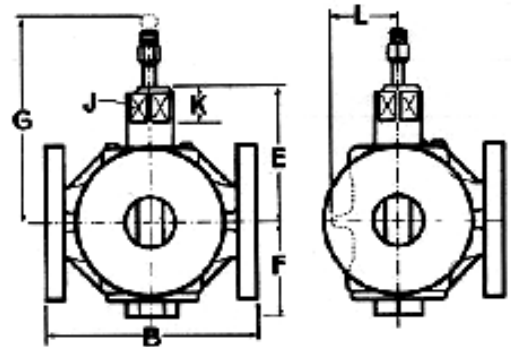
End Connections	Operation	Fig#
Non-Transflow		
Screwed	Wrench	200L/T
Flanged	Wrench	301L/T
Flanged	Geared	301LG/TG

### ▼ 200L - 200T Wrench Operated



Nominal Size		in mm	¾ 20	1 25	1½ 40	2 50
200L/T End-to-End (Screwed)	A	in mm	3.88 99	4.25 108	5.50 140	6.75 162
Center of Port to Top of Plug	E	in mm	2.63 67	3.13 79	4.50 114	5.38 137
Center of Port to Bottom	F	in mm	1.88 48	2.13 54	3 76	3.75 95
Clearance to Remove Sealing Screw	G	in mm	4.25 108	4.63 118	5.25 133	8.13 206
Square of Plug Head A/F	J	in mm	.84 21	1.06 27	1.38 35	1.38 35
Height of Plug Head	K	in mm	.88 22	1 25	1.38 35	1.38 35
Center of Valve to Edge of Rib	L	in mm	1.13 29	1.63 41	2.25 57	2.63 67
Diameter of Sealing Compound Stick		in mm	.38 9.50	.38 9.50	.38 9.50	.50 13
Wrench			G	J	L	L
Approximate Weight (Screwed)		lb kg	3.50 1.60	5.50 2.50	11 5.20	18 8.40

### ▼ 301L - 301T Wrench Operated



Nominal Size		in mm	2½ 65	3 80	4 100
301L/T Face-to-Face (Flanged)	B	in mm	10 254	11.50 292	14 356
Center of Port to Top of Plug	E	in mm	6.13 156	6.88 175	8.50 216
Center of Port to Bottom	F	in mm	4.38 111	5.38 137	6 152
Clearance to Remove Sealing Screw	G	in mm	8.75 222	10.13 257	11.88 302
Square of Plug Head A/F	J	in mm	2 51	2.25 57	2.69 68
Height of Plug Head	K	in mm	2 51	2 51	2.50 64
Center of Valve to Edge of Rib	L	in mm	3.38 86	4.38 111	6 152
Diameter of Sealing Compound Stick		in mm	.50 13	.63 16	.63 16
Wrench			O	P	Q
Approximate Weight (Flanged)		lb kg	53 24	86 39	180 82

# Comparison Chart

## Cast Iron – Lubricated Plug Valve

Milliken	Homestead	Resun	Nordstrom	Neo Valves
170M	611	R-1430	142	
171M	612	R-1431	143	1-AS 40114
171MG	612-G	R-1431-WGA	149	1-AS 40114-C
200M	601	D-125	114	1-AR 40034
201M	602	D-126	115	
201MG	602-G	D-126-WGA	189	
200MSJ	601-SJ	D-125-SJ		
201MSJ	602-SJ	D-126-SJ	2815 / 2865	
200L	603	D-951	3402	
301L	604	D-952	3403 / 3465	
301LSJ	604-SJ	D-952-SJ		
301LG	604-G	D-952-WGA	3469	
200T	605	D-953	3412	
301T	606	D-954	3413 / 3475	
200LSJ	603-SJ	D-951-SJ		
200TSJ	605-SJ	D-953-SJ		
301TSJ	606-SJ	D-954-SJ	3479	
301TG	606-G	D-954-WGA		

\* The above chart is meant as a general cross-reference only. For specific comparisons with reference to face-to-face, pressure and flow capacity contact Norgas Controls Inc.

Other products available from



.....

**Regulators for Natural & Propane Gas  
High Pressure Regulators up to 5000 PSI  
Filter Regulators & Gauges**

## **METERS**

.....

**Diaphragm, Rotary, Turbine,  
Dattus and Accessories**

Manufacturer standard warranty applies. For a copy please contact us.