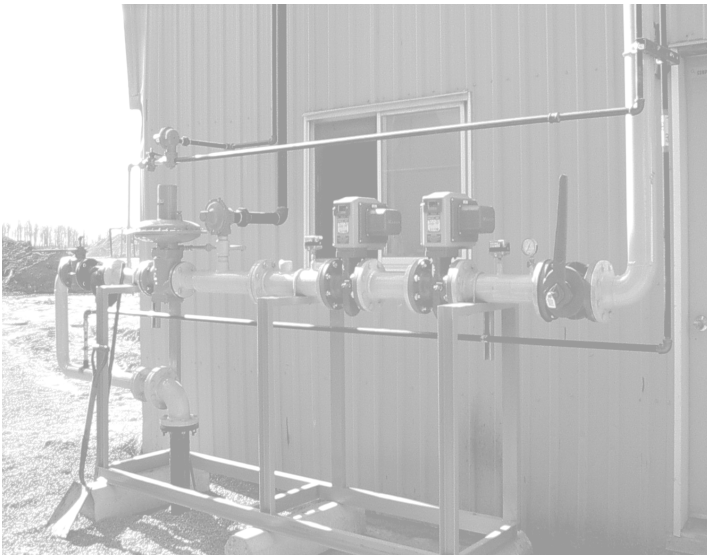




Gas Essentials^{INC}

Natural and Propane Gas Regulation, Measurement and Controls



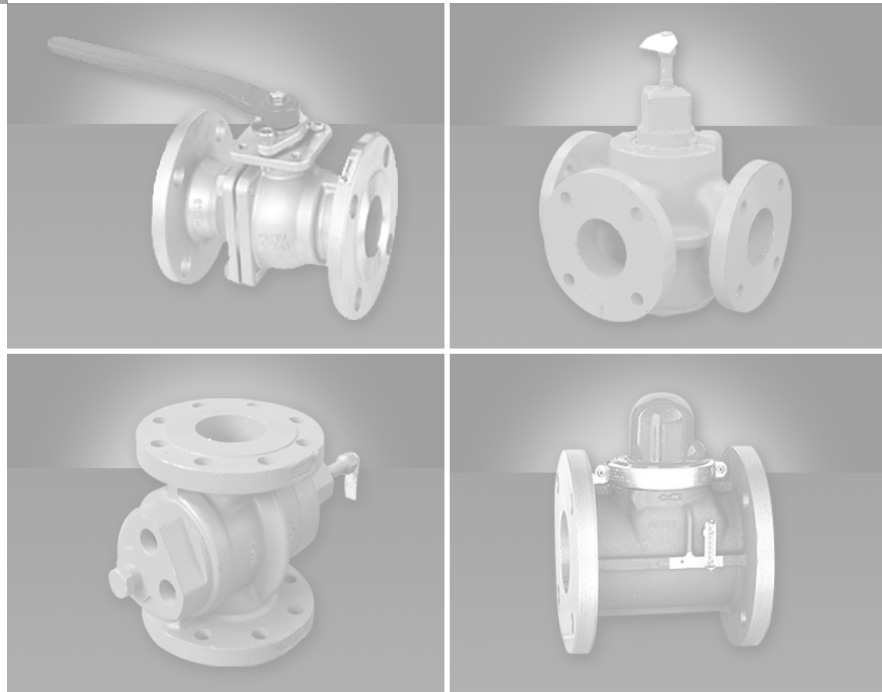
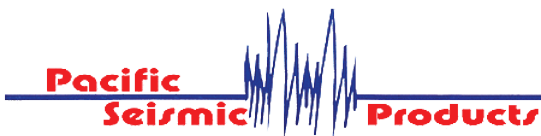
Flanged Ball Valves

Gas Valves Plug, Ball and Seismic

Master Distributor for



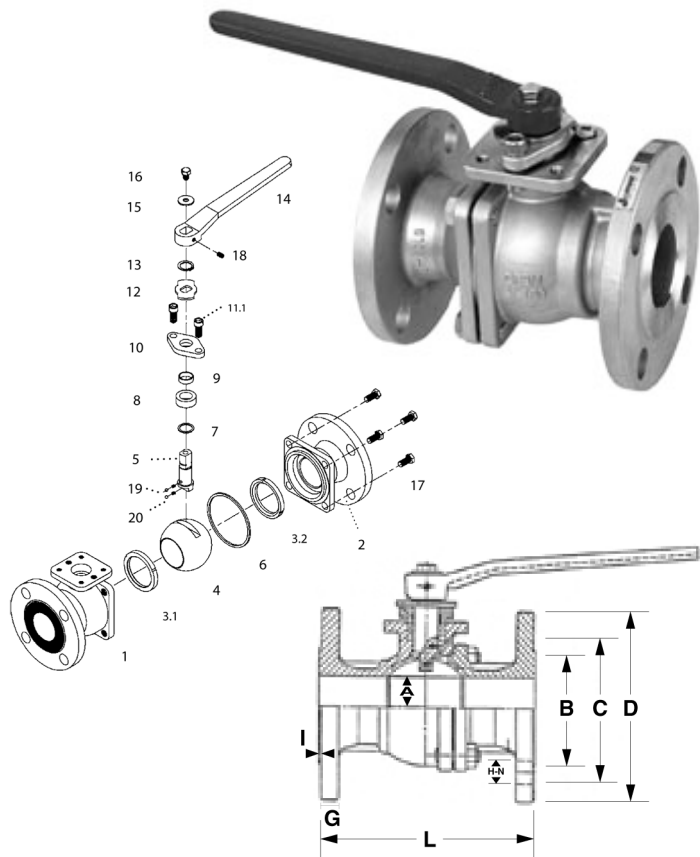
MILLIKEN



www.gasesentials.com

Flanged Ball Valve

FL CS-100-150



Approvals

- Flange: ANSI B16 •
- Face to Face: ANSI B16.10 •
- API 607 (fire tite) •
- NACE 01-75 •
- CSA Certified 125 PSIG on sizes 2" - 8" •

Dimensions in Inches

Carbon Steel Flanged Ball Valve 150 lbs.

Valve Size	A	B	C	D	G	I	L	H	Bolts
2"	1.97	3.62	4.74	5.98	.63	.06	7.01	.75	4
3"	3.15	5.00	6.00	7.48	.75	.06	8.00	.75	4
4"	3.94	6.18	7.50	9.02	.94	.06	9.02	.75	8
6"	5.99	7.32	9.52	10.99	1.00	.06	15.52	.88	8
8"	7.99	10.64	11.76	13.51	1.12	.06	18.00	.88	8

Description

1/4 turn, WCB Carbon steel body, 316 Stainless steel ball and stem, 100% full port, blowout proof stem, 2-piece body design.

Features

- Full Port
- PTFE seats
- Wrench Operator
- Locking device
- Acuator mounting pad
- Fire Safe Items 6 and 8 Graphite
- Air Tested - Seat Leakage: 6 kgf/cm²G
- Hydraulic Tested - Body: 30 kgf/cm²G
- Available Carbon Steel 300 lbs.
- Available Stainless Steel 150 and 300 lbs.

Material Specification

No.	Part Name	Materials
1	Body	WCB Carbon Steel
2	End Adapter	WCB Carbon Steel
3	Seat (2)	PTFE + 15% G.F.
4	Ball	CF8M Stainless Steel
5	Stem	316 Stainless Steel
6	Joint Seal	PTFE/Graphite
7	Gasket	PTFE
8	Seal	PTFE/Graphite
9	Gland Bushing	PTFE
10	Gland Flange	Stainless Steel
11	Gland Bolts	304 Stainless Steel
12	Stopper	304 Stainless Steel
13	Snap Ring	Steel
14	Handle	Ductile Iron
15	Flat Washer	Steel
16	Handle Bolt	304 Stainless Steel
17	Body Bolt (4)	ASTM A193 B8
18	Handle Set Screw	Steel
19	Static Device	304 Stainless Steel
20	Spring	304 Stainless Steel



Comparison Chart

Cast Iron – Lubricated Plug Valve

Milliken	Homestead	Resun	Nordstrom	Neo Valves
170M	611	R-1430	142	
171M	612	R-1431	143	1-AS 40114
171MG	612-G	R-1431-WGA	149	1-AS 40114-C
200M	601	D-125	114	1-AR 40034
201M	602	D-126	115	
201MG	602-G	D-126-WGA	189	
200MSJ	601-SJ	D-125-SJ		
201MSJ	602-SJ	D-126-SJ	2815 / 2865	
200L	603	D-951	3402	
301L	604	D-952	3403 / 3465	
301LSJ	604-SJ	D-952-SJ		
301LG	604-G	D-952-WGA	3469	
200T	605	D-953	3412	
301T	606	D-954	3413 / 3475	
200LSJ	603-SJ	D-951-SJ		
200TSJ	605-SJ	D-953-SJ		
301TSJ	606-SJ	D-954-SJ	3479	
301TG	606-G	D-954-WGA		

* The above chart is meant as a general cross-reference only. For specific comparisons with reference to face-to-face, pressure and flow capacity contact Norgas Controls Inc.

Other products available from



.....

**Regulators for Natural & Propane Gas
High Pressure Regulators up to 5000 PSI
Filter Regulators & Gauges**

METERS

.....

**Diaphragm, Rotary, Turbine,
Dattus and Accessories**

Manufacturer standard warranty applies. For a copy please contact us.